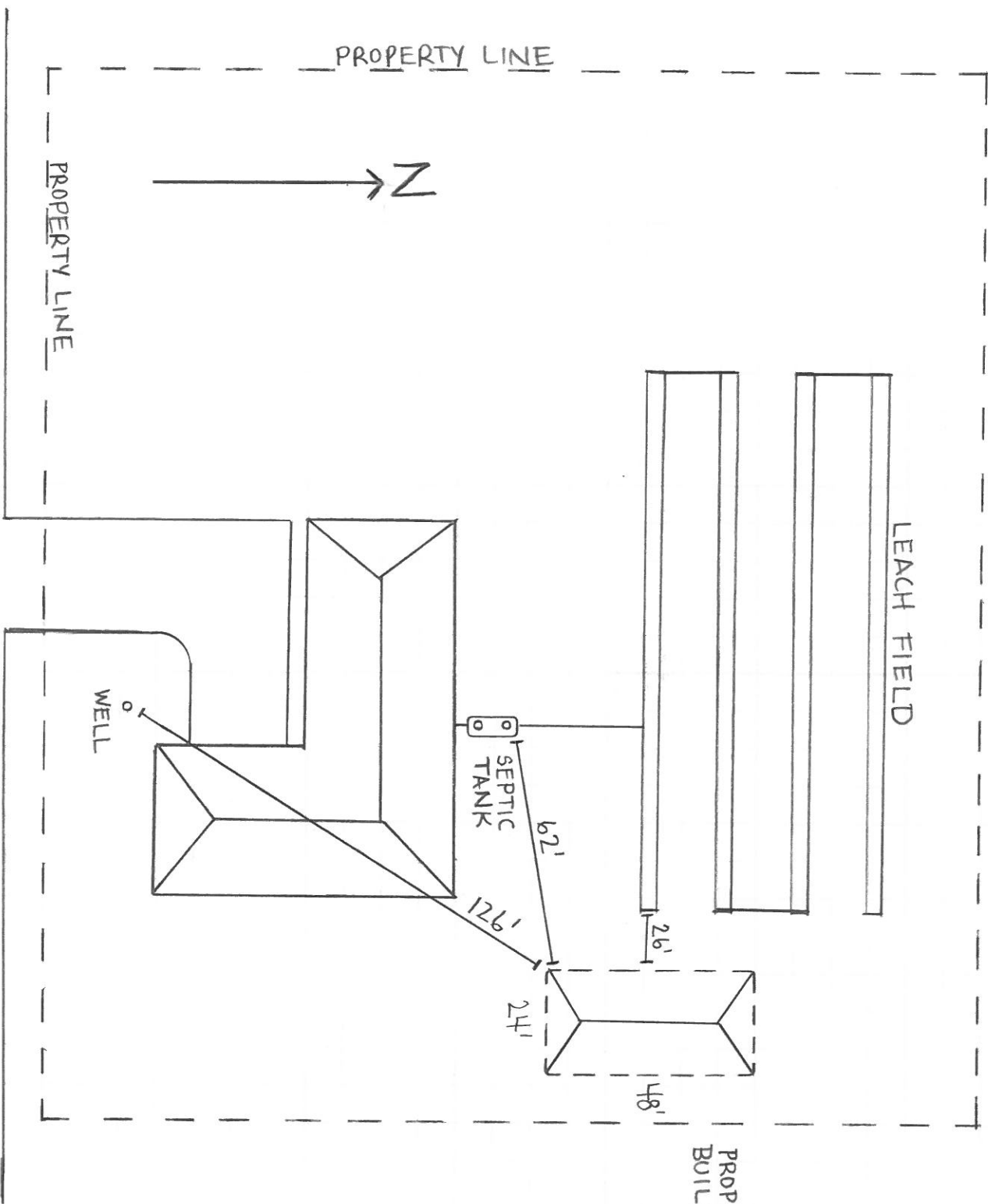


1234 ANY STREET DRIVE

24' x 48' BUILDING



1234 ANY STREET  
SITE APPROVAL



LEACH FIELD

SEPTIC TANK

21'

14'

PROPOSED ADDITION

24'

12'

30'

10' WELL

